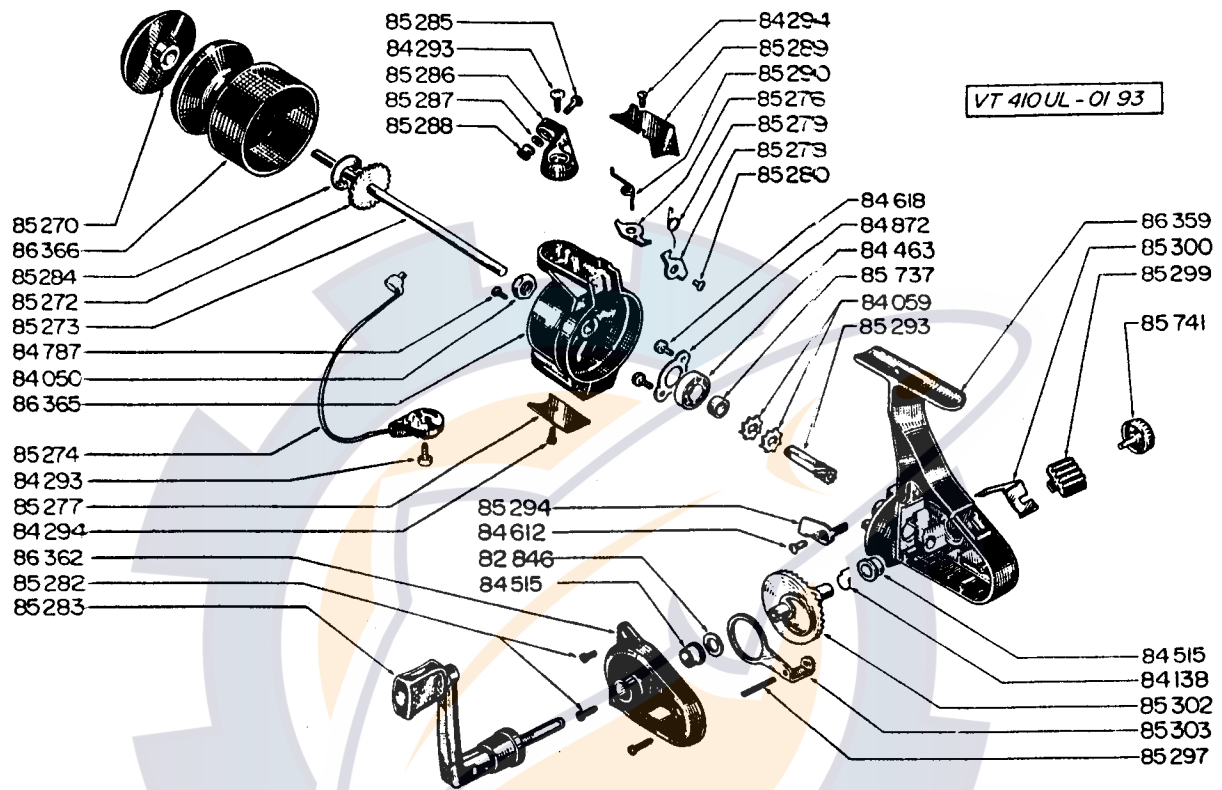


MITCHELL®

410 UL



Part No.	Description	Part No.	Description
8284600	SHIM - DRIVE GEAR	8528300	HANDLE
8405000	HEX NUT	8528400	SPOOL WASHER
8405900	ANTI-REVERSE RATCHET	8528500	BAIL WIRE SCREW
8413800	ANTI-REVERSE FRICTION	8528600	BAIL ARM
8429300	BAIL ARM SCREW	8528700	LINE GUIDE RACE
8429400	COVER PLATE SCREW - N1 & N2	8528800	LINE GUIDE WASHER
8446300	BALLBEARING	8528900	COVER PLATE - N1
8451500	BUSHING	8529000	BAIL SPRING
8461200	ANTI-REVERSE SCREW	8529300	PINION
8461800	PINION KIT SCREW	8529400	ANTI-REVERSE DOG
8478700	HEX NUT LOCK SCREW	8529700	OSCILLATION ARM RETAINER
8487200	BEARING PLATE	8529900	ANTI-REVERSE LEVER
8527000	DRAG KNOB	8530000	ANTI-REVERSE CAM
8527200	CLICK GEAR	8530200	DRIVE GEAR
8527300	AXLE	8530300	OSCILLATION ARM
8527400	BAIL WIRE ASSEMBLY	8573700	BEARING SPACER
8527600	TRIP LEVER	8574100	HANDLE CAP
8527700	COVER PLATE - N2	8635900	HOUSING
8527800	TRIP LEVER	8636200	SIDE PLATE
8527900	TRIP LEVER SPRING	8636500	ROTATING HEAD
8528000	TRIP LEVER SCREW	8636600	SPOOL
8528200	SIDE PLATE SCREW		